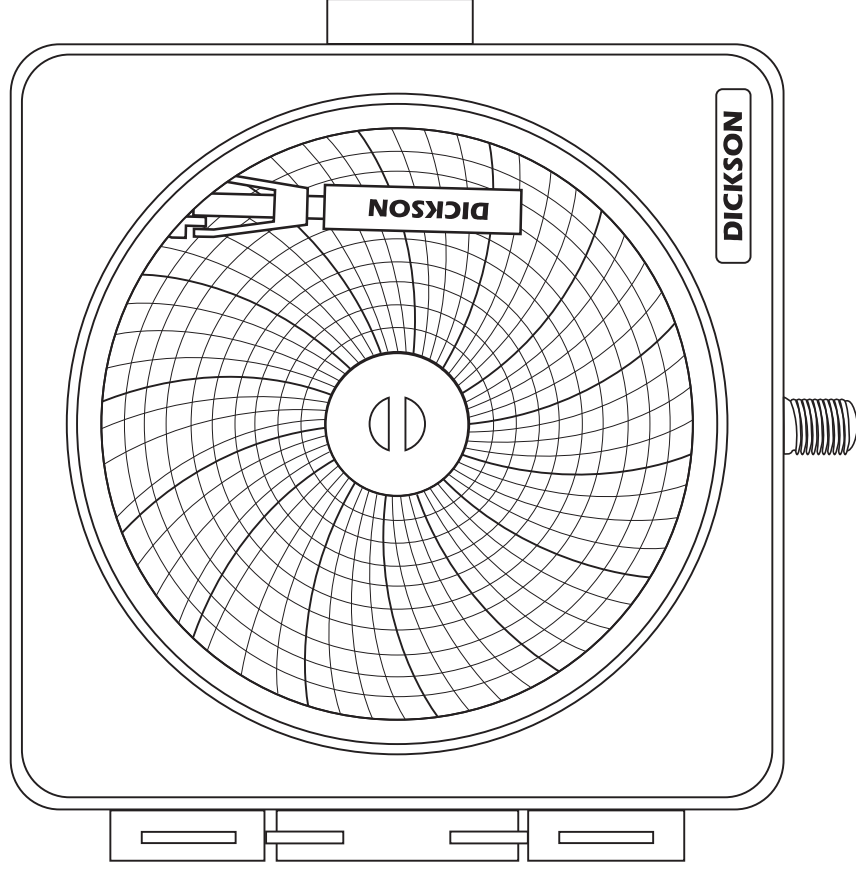




DICKSON
Environmental Monitoring + Compliance Experts

USER MANUAL & PRODUCT GUIDE



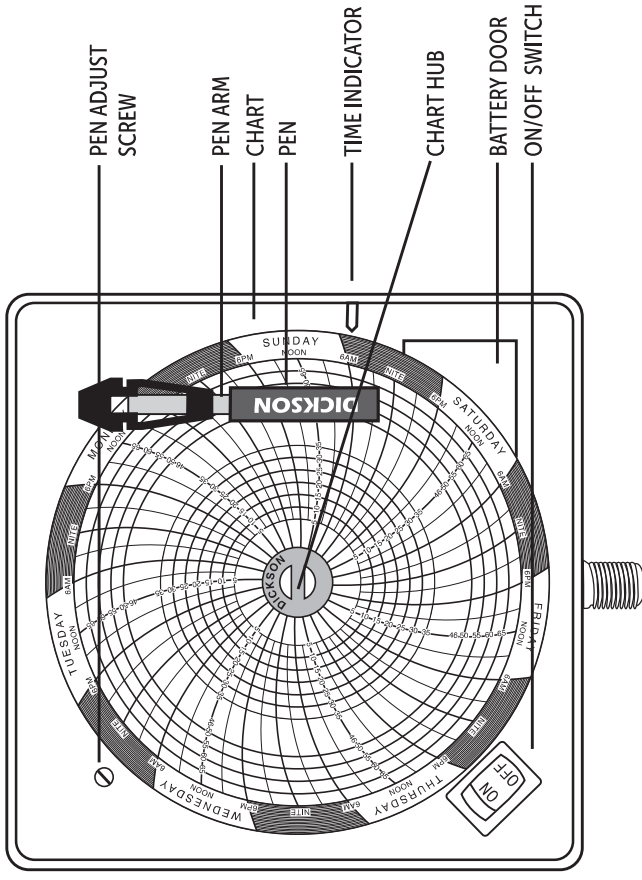
PW4
4" PRESSURE CHART RECORDER

Need additional support?

Web: DicksonData.com
Telephone: 630.543.5747
Email: support@dicksondata.com
930 S. Westwood Avenue
Addison, IL 60101



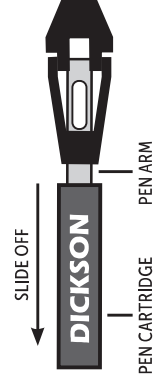
CHART REPLACEMENT



1. Flip pen arm up and away from chart. Slip your finger under the chart and lift the chart off the chart hub
2. Put one new chart on the recorder
3. Make sure the center of the chart, between chart hub, is not torn
4. Set the time by inserting a coin in chart hub and turning clockwise until the current hour is referenced by the time indicator
5. Flip pen arm down

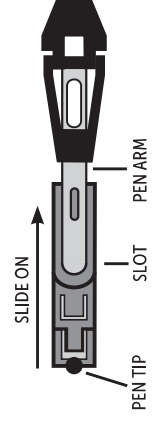
PEN REPLACEMENT

TOP SIDE OF PEN



1. Flip pen arm up
2. Slide used pen cartridge off pen arm
3. Slide new pen cartridge on pen arm
4. Make sure end of pen arm comes into contact with pen tip
5. Remove pen cap
6. Flip pen arm down

BOTTOM SIDE OF PEN



GETTING STARTED

IMPORTANT

Dickson Chart Recorder accuracy specifications are only valid with the use of authentic Dickson brand charts and pens. The specifications for chart printing, die cutting and paper absorption rates, and the complementary bleed rate specifications of pens are critical factors in determining system accuracy.

TO BEGIN OPERATION

This recorder comes with 1 AA battery installed.

1. When installing the recorder, (1/4" NPT pressure connection) always tighten the fitting instead of twisting the instrument case. Use a 5/8" wrench. Dickson recommends wrapping the pressure fitting with pipe tape before installing to prevent leaks
2. 24hr or 7 day rotation can be selected by removing the rubber plug on the back of the recorder. Note: PW479 can be set to 24hr only
3. Place a new chart on the recorder
4. Set time by inserting a coin into chart hub and turning clockwise until the current hour is referenced to the time index clip (time index clip is directly to the right and below the pen tip)
5. Remove protective pen cap
6. Turn the recorder on. The on/off switch is located inside the door on the dial plate. Note: Model PW460 does NOT include an on/off switch

BATTERY REPLACEMENT

- The battery compartment is located on the dial plate on the front of the unit. The recorder uses a standard AA battery for up to two years of battery life

CHART NOT ROTATING

1. Make sure the chart paper is not ripped in the center around the Chart Hub
2. Make sure the chart is not hung up or restricted
3. Make sure there is a good battery being used and it is installed correctly

PEN ADJUST

- The pen location may be adjusted using the pen adjust screw on the face of the unit

FACTORY SERVICE & RETURNS

Contact Customer Service at 630.543.3747 for a Return Authorization Number (RA) before returning any instrument. Please have the model and serial numbers and PO ready before calling.

Note: Dickson shall not be liable for consequential or incidental damages resulting from failure or malfunction of its products.